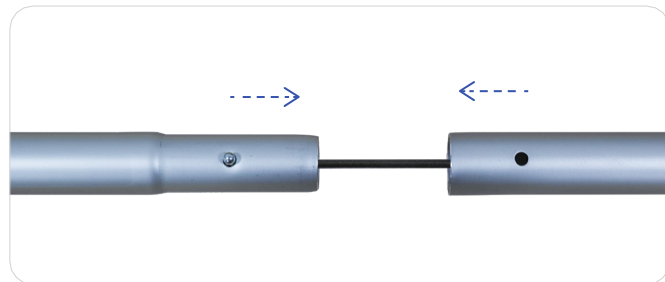


# Assembly Instruction

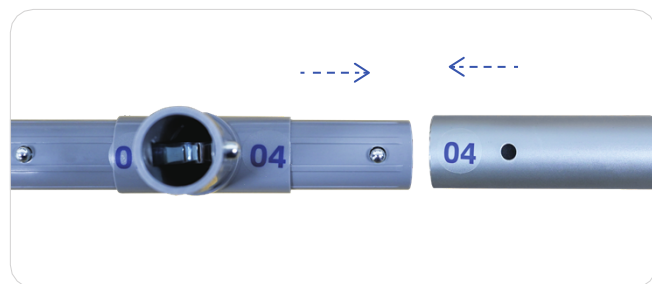
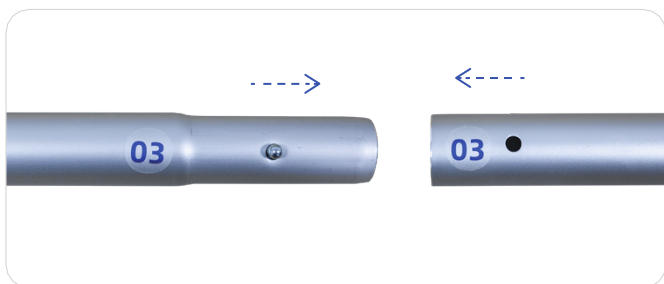
## Pre-connected Elastic Rope

The same group of round tubes has been connected using elastic rope, allowing for direct assembly.



## Digital Identification

For round tubes without elastic rope connections, group the tubes by matching the attached digital identifiers. Connect the tubes and connectors using the same method.



## Leg Base Assembly

Use the hex wrench and screws provided in the packaging to assemble the base. Once the base is assembled, connect it to the other round tubes.



## Plate Base Assembly

After connecting the bottom frame, use the hex wrench and screws provided in the packaging to attach the bottom frame to the plate base.

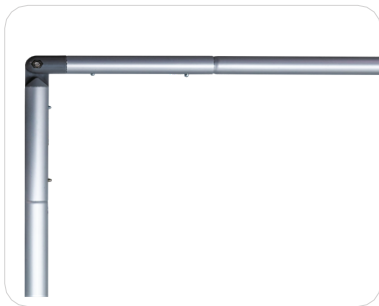


QUAL TY ASSURANCE

# Assembly Instruction

## Interchangeable Square and Round Corners

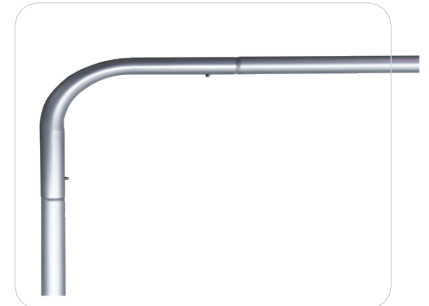
By replacing the corner connectors, you can change the style of the round tube frame's corners.



Square Corner Frame



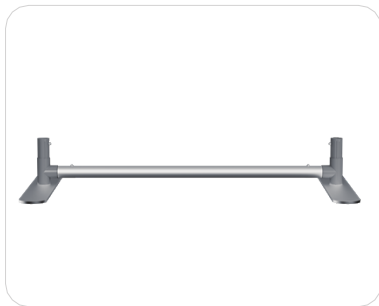
Replace Corner Connectors



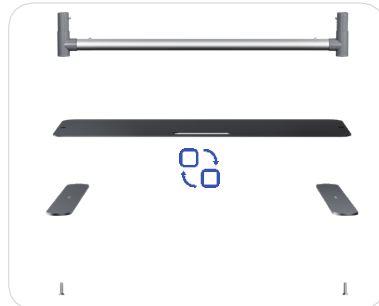
Round Corner Frame

## Interchangeable Leg Base and Plate Base

For frame of the same width, the iron legs and iron plates can be swapped to achieve different base styles.



Leg Base



Base replacement



Plate Base



## Installation Precautions

The corners of the aluminum tubes have been chamfered to minimize sharp edges, but there is still a risk of cuts. Please wear the gloves provided in the packaging during installation.

When connecting the frames, ensure that the locking balls are fully engaged to guarantee the stability of the assembled frame.



QUAL TY ASSURANCE

